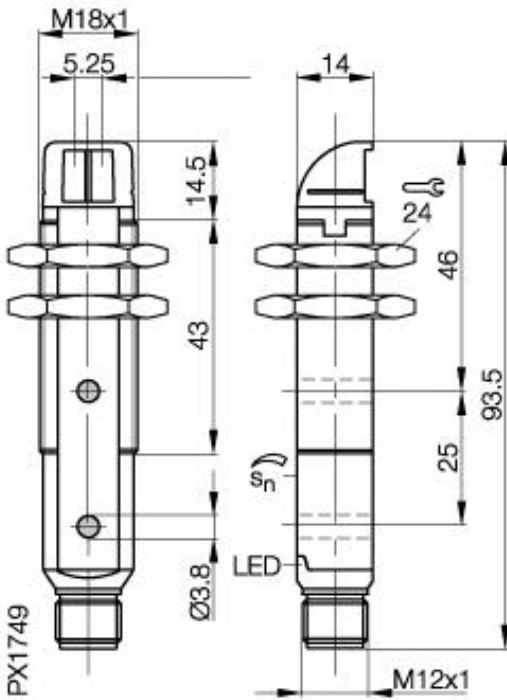


Photoelectric Sensor
BOS 18KW-NA-1PD-S4-C
Sn=400mm
Diffuse



Common Data

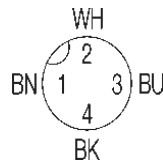
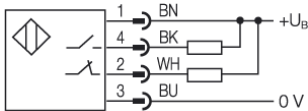
| | |
|-----------------------------------|-------------------------------|
| Series | 18K |
| Sensortype | Diffuse |
| Switching frequency | 1000 Hz |
| Rated operating distance Sn in mm | 400 |
| asured operating distance Sa | 0...350mm |
| Indication Switching element on | yes, yellow LED |
| Indication Special funktion | LED green Stability indicator |
| Ambient temperature | -25...+55°C |
| On-delay | 0,5ms |
| Off-delay | < 0,8ms |
| Light | Infrared |
| Sensitivity Adjustment | Poti 270° |
| Diameter of active zone | approx.35mm at 400mm |
| Output function | light-on or dark-on |

Mechanical Data

| | |
|--------------------------|---------------------------------|
| Measurements | M18x93,5 |
| Shock | Halfsinus, 30gn, 11ms |
| Vibration | 10...55Hz, 1,5mm Amplitude 3x2h |
| Housing material | PBT |
| Material of sensing face | PMMA |
| Degree of protection | IP67 |
| Connection | Connector S4 (M12) |
| Weigth | 25g |
| Recommended connector | BKS-S20-9 |

Electrical Data

| | |
|-------------------------------------|---------------|
| Current | DC |
| Switching function | NO/NC |
| Output | NPN |
| Rated operational voltage Ue | 24V DC |
| Rated operational current Ie | 100mA |
| Supply Voltage | 10...30V DC |
| Ripple | < 10% from UB |
| Frequency of Supply Voltage | DC |
| No-load supply current | <35mA |
| Voltage drop | <2V |
| Short protection | yes |
| Protected against polarity reversal | yes |



Utilization categories
 Insulation class

DC 13

Datasheet number:

Definitions see general catalog.
 If not otherwise noted, ratings according to
 IEC 60947-5-2 (DIN EN60947-5-2)

Balluff GmbH
 Schurwaldstrasse 9
 73765 Neuhausen a.d.F.
 Phone (07158) 173-0 Fax (07158) 5010

Datenblatt by CD-ROM - 04/2007

BALLUFF
 sensors worldwide